

# TRUGLO®

WHEN BRIGHTNESS COUNTS®

**PRODUCT:** OMNIA™ SCOPES (TG8518TLR, TG8516TLR, TG8514TLR)

**WARNING:** Serious bodily injury, death, or property damage can occur if this product is not installed and used properly.

## INSTRUCTIONS:

CAUTION: BEFORE YOU BEGIN, ALWAYS MAKE SURE THE WEAPON IS UNLOADED AND SAFE TO HANDLE.

Congratulations on your purchase of a TRUGLO® OMNIA™ Series scope, specifically designed for performance and reliability on modern sporting rifles. OMNIA literally means “all things”. Enjoy the versatility of an optic that does “all things” well and excels at both close range speed shooting and long distance precision.

### MODELS:

OMNIA4 1-4 x 24mm Illuminated Reticle (TG8514TLR)

OMNIA6 1-6 x 24mm Illuminated Reticle (TG8516TLR)

OMNIA8 1-8 x 24mm Illuminated Reticle (TG8518TLR)

Each OMNIA model carries all of the features demanded on high performance tactical riflescopes, and a comfortable user interface for fast and consistent control. OMNIA and other low-power variable optics provide the speed and field-of-view of non-magnified sighting systems, with the ability to quickly zoom to 4x or 6x for a more precise shot.



- Multi-coated lenses for enhanced clarity and contrast
- 30mm tube for increased turret adjustment range and increased brightness
- 1/2-MOA target turrets and MOA-based reticle for simplified adjustments, tracking, and holdover
- One-piece (0-MOA) mount for a strong hold and ideal mounting position on modern sporting rifles
- Illuminated All Purpose Tactical Reticle (A.P.T.R.) for precision measurement without a crowded sight picture
- Hardcoat anodized matte finish
- Nitrogen gas-filled fog-proof construction
- Water-resistant and shock-resistant
- Illuminated glass-etched reticle
- Leaf-spring turret control for positive and responsive click adjustments
- Generous eye relief

525 INTERNATIONAL PARKWAY  
RICHARDSON, TEXAS 75081  
P# 972.774.0300  
F# 972.774.0323

**WARNING:** This product can expose you to chemicals including chromium, which is known to the State of California to cause cancer and birth defects or other reproductive harm. For more information go to [www.P65Warnings.ca.gov](http://www.P65Warnings.ca.gov).

ART19A29JL



# TRUGLO®

WHEN BRIGHTNESS COUNTS®

**PRODUCT:** OMNIA™ SCOPES (TG8518TLR, TG8516TLR, TG8514TLR)

**WARNING:** Serious bodily injury, death, or property damage can occur if this product is not installed and used properly.

## MOUNTING

To get the best performance from your scope, it must be mounted properly. If you are not familiar with the process of mounting a scope, it is strongly recommended that you seek assistance from a qualified professional.

Your OMNIA scope includes a one-piece (0-MOA) mount, specifically designed for mounting on modern sporting rifles with flat-top receivers utilizing standard Picatinny rails. If mounting on a rifle without a Picatinny rail (such as a traditional bolt-action hunting rifle), additional 30mm rings and bases will be needed.

1. Loosen the two mounting bolts on the bottom of the mount. Position the scope and mount on the railed receiver of the rifle. Move the scope and mount forward or backward to achieve proper eye-box position. The mounting bolts must fit into recoil grooves for proper mounting. (Check eye relief at both the highest and lowest magnification settings to ensure proper maximum distance between the eye piece and the shooter's eye to avoid injury from heavy recoiling ammunition).
2. After the proper rail position has been identified, push the optic forward slightly and carefully tighten the mounting bolts. **DO NOT OVER-TIGHTEN.** (Recommended max torque is 20 in-lbs or 1.6 ft-lbs on standard rails). For additional security, a drop of non-permanent thread locking fluid (such as blue Loctite® 242/243) can be added to the mounting bolts before final tightening.
3. Slightly loosen the screws on top of the mount (do not remove completely). Rotate the scope to align the reticle with gravity. It is recommended to use two leveling instruments: (bubble level or similar leveling device) one on the receiver of the rifle, and another on the elevation turret of the scope. At this time, more precise eye relief adjustments can be made. Be sure the scope is mounted a sufficient distance from the shooter's eye/face to prevent contact under recoil. After proper level and position have been achieved, carefully re-tighten the screws. Tighten each screw the same amount (example: 1 turn) while alternating screws until tight. **DO NOT OVER-TIGHTEN.** This ensures the optic is held firmly in all positions and is not torqued in any direction. **NOTE:** The mount is installed on the scope at an approximate level from the factory. Exact leveling should be confirmed on the rifle.

## ZEROING—OVERVIEW and 50/200 ZERO

After the scope and mount are installed correctly, the scope can be zeroed to the rifle. From the factory, the windage and elevation dials are aligned to the center of the scope. Initial bore-sighting is recommended to save time and ammunition during live-fire zeroing. Remove the bolt and use a bore-sighting laser or visually bore-sight by looking through the barrel and scope: sight a target through the bore, and adjust the alignment of the scope to the same position. Only minor adjustments should be needed. If major adjustments are needed, check the mounting of the scope. **NOTE:** Your click adjustments will appear to move "backwards" (relative to the markings on the turrets) in this process. **WARNING:** Always remove the laser bore sighter from the barrel after every use. Firing a round with an obstructed barrel will cause permanent damage to the gun and/or serious injury!

After bore-sighting, the scope is ready for live-fire zeroing. Only fire your rifle in a safe manner at an approved shooting location. Your TRUGLO scope has precise windage and elevation adjustments with audible and tactile clicks. The recommended initial zeroing distance for your OMNIA scope is 50 yards—this will allow you to achieve a 50/200 zero, where the path of the bullet passes through the center of the reticle at 50yds (moving upward), and again at approximately 200yds, (falling downward). Each click of windage or elevation is equal to 1/2-MOA (approximately 1/4in at 50yds, 1/2in at 100yds, etc.). If zeroing at 100yds, the top of the illuminated center crosshair should be used to achieve approximately the same zero and hold-over.

525 INTERNATIONAL PARKWAY  
RICHARDSON, TEXAS 75081  
P# 972.774.0300  
F# 972.774.0323

**WARNING:** This product can expose you to chemicals including chromium, which is known to the State of California to cause cancer and birth defects or other reproductive harm. For more information go to [www.P65Warnings.ca.gov](http://www.P65Warnings.ca.gov).

ART19A29JL



# TRUGLO®

WHEN BRIGHTNESS COUNTS®

**PRODUCT:** OMNIA™ SCOPES (TG8518TLR, TG8516TLR, TG8514TLR)

**WARNING:** Serious bodily injury, death, or property damage can occur if this product is not installed and used properly.

## ZEROING –TURRET CONTROLS

OMNIA scopes are equipped with locking target turrets. This provides the advantage of target turrets that can accommodate adjustments and return to a pre-set zero, as well as the ability to lock the turrets in place to prevent undesired movement. The rifle should only be fired with the turrets in the locked position. To unlock the turret, pull the turret outward (up on the elevation turret, right on the windage turret).

With the turrets in the unlocked position, adjustments can be made. Adjust turrets as needed to obtain the proper zero at 50 yds. Remember, each click is 1/2-MOA (approximately 1/4 in. at 50 yds., 1/2 in. at 100 yds., etc.). After each adjustment is made, push in on the turrets to lock them in place before shooting again. For each adjustment, it is recommended to use the average of a 3-shot group rather than a single shot.

Example: If your shot (or shot group) average is 2 in. high and 1 in. left at 50 yds., adjust the elevation turret down (direction indicated on turret) 8 clicks, and the windage turret right (direction indicated on turret) 4 clicks to obtain the proper zero. Lock the turrets and shoot again to confirm. After you have zeroed the point-of-aim of your scope to the point-of-impact, the turret caps will likely be in the incorrect position (indexed to any number other than “0”) and will need to be indexed correctly. To “slip the caps” back to “0”, first make sure the turrets are in the LOCKED (downward) position. Use the included hex wrench to loosen the screw on the end of each turret cap. Remove the screw completely, retaining the rubber washer. Pull the turret cap away from the scope to remove. Align the “0” mark to the indexing dot on the scope body and replace turret cap. The turret should NOT click when rotated as the turret is in the locked position and only the external turret cap is moving. Re-tighten the screw on the cap to hold the cap firmly in place. DO NOT OVER-TIGHTEN. Do not apply threadlocker to this screw.

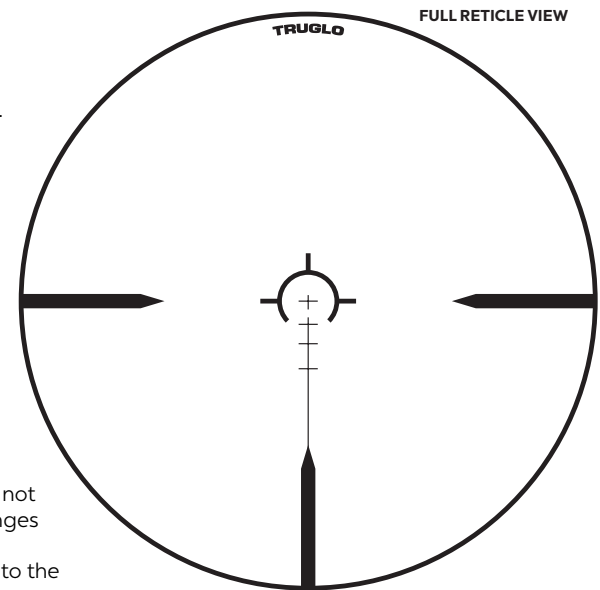
## A.P.T.R. (ALL PURPOSE TACTICAL RETICLE)

OMNIA Series scopes utilize a proprietary advanced reticle, optimized for intuitively shooting quickly and accurately. Tactical carbines are regularly tasked with shooting from 0-300 yds., and occasionally out beyond 500yds. The A.P.T.R. and OMNIA scope are dedicated to the same task: combining versatility, precision, and speed.

- Large illuminated peep for quick sight acquisition (especially at low magnification and close distances)
- 50-300 yd. illuminated crosshair-zeroing at 50 yds means the trajectory reaches the top of the illuminated crosshair at 100 yds., drops through the middle again at 200 yds. and reaches the bottom of the illuminated crosshair at 300 yds.
- Extended ladder offers holdover points for 300-600 yds.
- Illuminated Peep Ring is 12-MOA (≈12 in. at 100 yds, outer edge-to-edge) Perfect for shooting at 12 in. plates or bullseye targets.
- Illuminated Peep Bars are 20-MOA (≈20 in. at 100 yds., outer end-to-end) ideal for shooting body-sized targets
- Horizontal crosshairs are 4-MOA wide (2-MOA each side of center) for holding windage or lead
- Peep lines are 1-MOA for fast acquisition and strong illumination.
- Interior crosshair and drop compensation lines are 1/4-MOA for precise aiming
- Thick 3-MOA crosshair points to center of reticle for fast aiming
- Open top of reticle for undivided viewing

## SECOND FOCAL PLANE

The reticle of the scope is positioned in the second focal plane. This means the reticle does not zoom or change sizes, and always fills the entire viewing area (a first focal plane reticle changes sizes as you change magnification, and can be hard to read at some magnification levels). Because the reticle size stays constant, the indicated subtension measurements apply only to the maximum magnification level of the optic—9x or 16x, depending on model. Subtension measurements can be calculated at other magnifications, but for the best accuracy, the maximum magnification should be used. Magnification has no effect on the point-of-impact or turret adjustments.



525 INTERNATIONAL PARKWAY  
RICHARDSON, TEXAS 75081  
P# 972.774.0300  
F# 972.774.0323

**WARNING:** This product can expose you to chemicals including chromium, which is known to the State of California to cause cancer and birth defects or other reproductive harm. For more information go to [www.P65Warnings.ca.gov](http://www.P65Warnings.ca.gov).

ART19A29JL



# TRUGLO®

WHEN BRIGHTNESS COUNTS®

**PRODUCT:** OMNIA™ SCOPES (TG8518TLR, TG8516TLR, TG8514TLR)

**WARNING:** Serious bodily injury, death, or property damage can occur if this product is not installed and used properly.

## USING MOA

Minutes-of-angle (MOA) is a friendly system of angular measurement for shooters familiar with the English/customary system. For quick calculations, 1-MOA  $\approx$  1 in. at 100 yds. (2 in. at 200 yds., 3 in. at 300 yds., etc.). Note: 1-MOA does not exactly equal 1 in. at 100 yds. This is an approximate value (within about 5%) for easy zeroing of the rifle. For complex or long-distance firing solutions, use precise calculations. Your OMNIA scope is calibrated in MOA and not in "inches at 100 yds." to ensure precision at all distances.

## A.P.T.R. SUBTENSIONS

The illustration shows all of the subtensions built into the All Purpose Tactical Reticle. All measurements are shown in minutes-of-angle.

Because the OMNIA turrets are also in MOA, converting measurements is not needed.

These measurements can be utilized for approximating holdover, but are primarily for shot tracking and ranging.

Bullet drop-compensation data is based on the common 55 gr. .223/5.56 (XM193) load, but can be used as a generic BDC reticle for other load combinations, calculated based on the holdover distances provided.

## QUICK-ZOOM LEVER

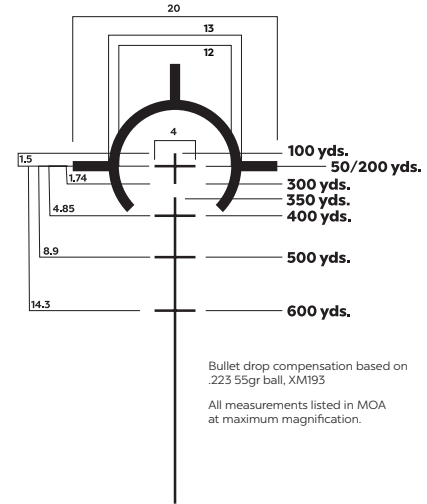
OMNIA comes with a quick-zoom lever pre-installed. The lever increases torque on the zoom ring, making it easier to quickly adjust the magnification of the scope. To change the index location of the quick-zoom lever, loosen the setscrew, rotate the lever to the desired position, and tighten the setscrew. **DO NOT OVER-TIGHTEN.** Check the full range of motion of the lever to ensure motion is not impeded by the mount, receiver, or backup iron sight. To remove the quick-zoom lever, remove the flip-up cap on the ocular lens, loosen the setscrew, and slide the quick-zoom ring back over the ocular lens.

## ILLUMINATION CONTROL

Illuminated reticles come standard on many TRUGLO scopes including the OMNIA Series. The etched reticle can be illuminated in red, as well as used in black without illumination. Simply rotate the illumination control dial in either direction to select the desired brightness level. Always select the lowest brightness setting that provides good contrast against the target. The higher brightness settings should only be used in bright daylight (otherwise, the reticle may appear distorted). Turn the illumination system to the "0" (off) position after use to conserve battery power.

## CHANGING BATTERIES

OMNIA scopes use the common 3V CR2032 battery. Replacement batteries can be purchased in many retail locations or ordered from TRUGLO. The battery is located inside of the brightness adjustment dial. To change batteries, unscrew the battery cap (using a key, coin, or large flathead screwdriver). Remove the old battery and replace with a new CR2032 battery. The negative (-) side should face the scope tube and the positive (+) side should face the battery cap. Replace battery cap and screw firmly into place. **DO NOT OVER-TIGHTEN.**



525 INTERNATIONAL PARKWAY  
RICHARDSON, TEXAS 75081  
P# 972.774.0300  
F# 972.774.0323

**WARNING:** This product can expose you to chemicals including chromium, which is known to the State of California to cause cancer and birth defects or other reproductive harm. For more information go to [www.P65Warnings.ca.gov](http://www.P65Warnings.ca.gov).

ART19A29JL



# TRUGLO®

WHEN BRIGHTNESS COUNTS®

**PRODUCT:** OMNIA™ SCOPES (TG8518TLR, TG8516TLR, TG8514TLR)

**WARNING:** Serious bodily injury, death, or property damage can occur if this product is not installed and used properly.

## FOCUS ADJUSTMENT –DIOPTER

Your OMNIA scope features a diopter adjustment to optimize the focus of the optic for individual vision. The diopter adjustment wheel determines the focus inside of the optic, ensuring the reticle is in sharp focus for maximum clarity and accuracy. Proper adjustment is based on individual eyesight, and will vary from one individual to another. Adjusting the diopter will marginally change the magnification of the optic. This will not have a significant effect on the subtension measurements of the reticle.

## FOCUS ADJUSTMENT –PARALLAX SETTING

OMNIA4 and OMNIA6 utilize a fixed-focus that does not need to be adjusted. This focus is optimized at 100 yds. Objects viewed at extreme distances (far beyond 100 yds.) may not appear as sharp as closer objects—this is normal for all fixed-focus scopes, and does not effect the precision of the crosshairs nor the alignment of the scope.

## MAINTENANCE AND CLEANING

Although your TRUGLO scope is very durable, it is a precision instrument and should be treated with care. When not in use, cover the objective and ocular lenses with the provided lens caps to prevent dust and debris from collecting on the lenses. It is recommend to store precision rifles and optics in a hard-sided case.

**Lenses:** If the lens becomes dirty, blow loose dust/dirt off before cleaning. Use lens cleaning fluid and a soft cloth to dab at the surface to remove potentially abrasive bits of dirt or dust before applying more pressure. Be patient and clean in gradual stages. Too much pressure can grind abrasive debris into the lens, damaging the optical coating. The optical coatings are very durable and will last indefinitely as long as proper care is taken in the cleaning process.

**Exterior:** The body of the scope and mount can be wiped down to remove dust, oils, fingerprints, etc. On all riflescopes, solvents should not be used as they could potentially damage some components of your scope including the finish of the scope, and the internal grease that keeps adjustment knobs turning smoothly.



525 INTERNATIONAL PARKWAY  
RICHARDSON, TEXAS 75081  
P# 972.774.0300  
F# 972.774.0323

**WARNING:** This product can expose you to chemicals including chromium, which is known to the State of California to cause cancer and birth defects or other reproductive harm. For more information go to [www.P65Warnings.ca.gov](http://www.P65Warnings.ca.gov).

ART19A29JL



# TRUGLO®

WHEN BRIGHTNESS COUNTS®

**PRODUCT:** OMNIA™ SCOPES (TG8518TLR, TG8516TLR, TG8514TLR)

**WARNING:** Serious bodily injury, death, or property damage can occur if this product is not installed and used properly.



TRUGLO, Inc. warrants this product to be free from original defects in materials and workmanship for as long as the product is owned by the original retail purchaser, subject to the limitations set forth herein. This warranty applies only to the original retail purchaser and requires the purchaser to supply a copy of the original proof of purchase (original sales receipt) at the time warranty service is requested. No additional warranty "registration" is required. If this product should malfunction or fail, contact us for a Return Merchandise Authorization (RMA) number. The RMA number should be clearly marked on the outside of the package. Please include a complete description of the problem, your name, address, telephone number and a copy of the original proof of purchase. All transportation, insurance, and freight charges associated with warranty service and repairs are the responsibility of the purchaser. Please include a check or money order in the amount of \$12.50 to cover processing and return postage. If an original defect is found by us, we will, at our option, repair, replace, or make appropriate adjustment. To contact us go to [www.truglo.com](http://www.truglo.com) or call 972-774-0300. This Limited Warranty does not apply to: (a) asserted defects caused by normal wear and tear of any part including knobs, camouflage finish, etc.; (b) asserted defects caused by modification, unauthorized service, accidents, neglect, misuse, abuse, improper maintenance, acts of Nature; (c) asserted defects involving subjective personal likes or judgments; (d) batteries; (e) electronic components; or (f) products purchased outside the USA.

The ELECTRONIC COMPONENTS in this product are warranted to be free of defects in materials and workmanship for THREE YEARS from the date of purchase. If during this three-year period, the electronic components should malfunction or fail, the above protocol should be followed. If an original defect is found by us, we will, at our option, repair, replace, or make appropriate adjustment.

THIS LIMITED WARRANTY IS THE EXCLUSIVE WARRANTY FOR THIS PRODUCT. WE DISCLAIM ANY AND ALL OTHER WARRANTIES OF ANY KIND, EXPRESS OR IMPLIED, INCLUDING ANY WARRANTIES OF FITNESS FOR A PARTICULAR PURPOSE OR OF MERCHANTABILITY. WE SHALL NOT BE LIABLE IN TORT, INCLUDING NEGLIGENCE OR STRICT LIABILITY, AND SHALL HAVE NO LIABILITY AT ALL FOR INJURY TO PERSONS OR PROPERTY. OUR LIABILITY FOR FAILURE TO FULFILL ANY OBLIGATION UNDER THIS LIMITED WARRANTY OR ANY OTHER LIABILITY IN CONNECTION WITH THIS PRODUCT SHALL BE LIMITED TO THE AMOUNT OF THE PURCHASE PRICE RECEIVED BY US FOR THE PRODUCT. THE REMEDIES STATED IN THIS LIMITED WARRANTY ARE THE PURCHASER'S EXCLUSIVE REMEDIES AGAINST US REGARDING THIS PRODUCT. UNDER NO CIRCUMSTANCES SHALL WE BE LIABLE FOR ANY INDIRECT, INCIDENTAL, SPECIAL, OR CONSEQUENTIAL DAMAGES, INCLUDING LOST PROFITS AND REVENUES, INCONVENIENCE, OR INTERRUPTIONS IN OPERATIONS, OR ANY OTHER COMMERCIAL OR ECONOMIC LOSSES OF ANY KIND. THESE LIMITATIONS AND DISCLAIMERS ARE NOT MADE BY US WHERE PROHIBITED BY LAW. SOME STATES PROHIBIT LIMITATIONS OF WARRANTIES AND THE PURCHASER MAY HAVE ADDITIONAL RIGHTS IN THOSE STATES.

525 INTERNATIONAL PARKWAY  
RICHARDSON, TEXAS 75081  
P# 972.774.0300  
F# 972.774.0323

**⚠️ WARNING:** This product can expose you to chemicals including chromium, which is known to the State of California to cause cancer and birth defects or other reproductive harm. For more information go to [www.P65Warnings.ca.gov](http://www.P65Warnings.ca.gov).

ART19A29JL

