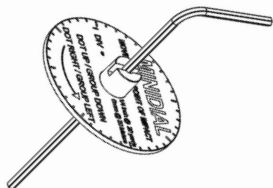




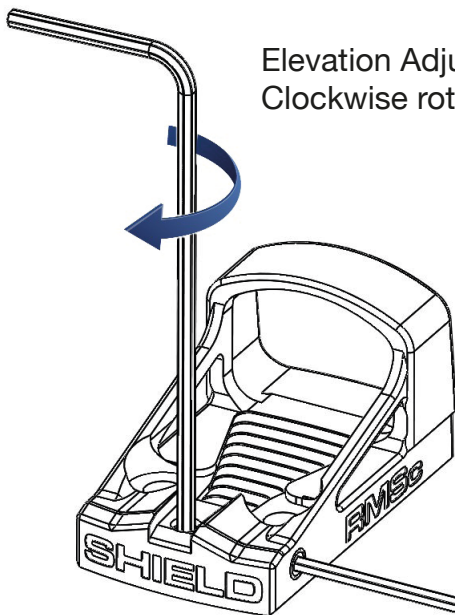
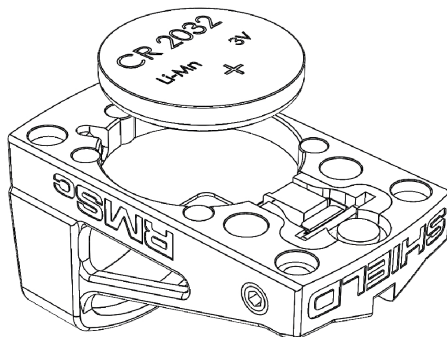
RMS_c INSTRUCTIONS Quick Guide

IMPORTANT!!
PLEASE ENSURE ALL FIREARMS ARE CLEAR AND
SAFE BEFORE CONTINUING

Insert battery as shown.

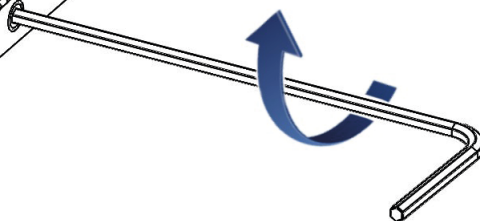


Thread hex wrench into minidial to gage adjustment as you turn.



Elevation Adjustment:
Clockwise rotation = Group Up / Dot Down

Windage Adjustment:
Clockwise rotation = Group Right/
Dot Left



ENSURE THAT YOU KEEP TOOLS SAFE FOR FUTURE USE



RMSc INSTRUCTIONS

Accessories:

- Minial
- CR2032 Battery
- 1° shim
- 2 x Button head M4x8mm screws
- 2 x Button head M4x10mm screws
- 2 x Hex Wrench tools

General Care:

The lens has an anti-reflective coating. The lens may show some minor distortion if examined under intense scrutiny such as holding the sight up to a light and focusing on the lens. When you are actually shooting, the eye never focuses on the lens, so this distortion is not noticeable under live fire conditions. Be sure to blow away any debris before initiating the cleaning process. A full lens cleaning video to show the recommended method is available on our YouTube channel.



Products designed and manufactured by Shield carry a Limited Lifetime warranty on materials and workmanship.

For more details on SHIELD's warranty please see our website www.shieldsights.com/warranty

IMPORTANT NOTICE TO PURCHASER

The following is made in lieu of all warranties, expressed or implied, including the implied warranties of merchantability and fitness for purpose: Seller's and manufacturers only obligation shall be to replace such elements of the product proved to be defective. Before using, user shall determine the suitability of the product for its intended use, and user assumes all risk and liability whatsoever in connection there with.

NEITHER SELLER NOR MANUFACTURER SHALL BE LIABLE EITHER IN TORT OR IN CONTRACT FOR ANY LOSS OR DAMAGE, DIRECT, INCIDENTAL, OR CONSEQUENTIAL, ARISING OUT OF THE USE OR THE INABILITY TO USE THE PRODUCT.



For instructional videos on mounting, lens cleaning and changing the battery please visit our YouTube channel or our website.

www.youtube.com/c/ShieldSights

IMPORTANT!! PLEASE ENSURE ALL FIREARMS ARE CLEAR AND SAFE BEFORE CONTINUING

Fitting and removal of the battery:

Battery Fitting: The Reflex Mini Sight Compact uses a 3V Lithium battery type CR-2032 which under average use can last 2 to 3 years. Replacement is required when the intensity of the dot appears greatly diminished against a bright background.

To change the battery remove magazine and ensure that the gun is clear and safe before proceeding and keep the gun pointed away from you whilst performing the following procedure.

Use the hex wrench to remove mounting screws from the sight and detach the sight from the gun. Flip the sight upside down to expose the battery compartment.

When inserted, the positive side (+) of the battery should be upward and visible. The side of the battery should be pressed against the contacts before being inserted.

The negative (-) contact must be properly situated in its recess at the bottom of the battery cavity, should it be bent out of position it may touch the positive (+) side of the battery, and the LED will not work.

To remove a battery, use the 1.5mm hex wrench to prise the battery from its cavity with the wrench placed in the slot, which is part of one of the forward mount location holes.

Zeroing the RMS:

When zeroing the RMSc attention and care must be paid to the feel of the mechanism. The RMSc is a small, precision built piece of equipment and could be damaged if not handled correctly. There is no need to use anything other than our provided tool. If a screwdriver with a handle is used the torque that can be applied could cause damage without the user noticing.

The mechanism is designed to perform the exact job of allowing movement in only the elevation & windage and to stop any unwanted movement throughout its life that would result in zero shift.

DO NOT FORCE ADJUSTMENT, in either direction, once resistance is felt as this will damage the sight and void the warranty.

Take the Minial and thread the hex wrench through the center. This is used to gage your adjustment.

Elevation:

Turning the elevation screw **Clockwise** will move the dot **DOWN**, this will move the shot (group) **UP**

Turning the elevation screw **Anticlockwise** will move the dot **UP**, this will move the shot (group) **DOWN**.

The 1 degree shim is provided to give extra range of elevation across a wide range of firearms (such as the 1911). Should you feel any resistance from the mechanism whilst zeroing the elevation please fit the shim between the sight and the mount with the thickest part at the rear.

Windage:

Turning the windage screw **Clockwise** will move the dot to the **LEFT**, this will move the shot (group) to the **RIGHT**.

Turning the windage screw **Anticlockwise** will move the dot to the **RIGHT**, this will move the shot (group) to the **LEFT**.