

THE T-MAG II PRESS

The Lyman T-Mag Press features a powerful compound leverage with a unique position indexable turret and quick disconnect release system. This allows you to mount several die sets, precisely locked in and ready to reload at all times.

You may also mount your powder measure in one of the die stations if it is compatible with the $\frac{7}{8}$ " x 14 threads (as many are).

The Lyman #55 Powder Measure can be mounted to the turret using the Lyman $\frac{7}{8}$ " x 14 Adapter.

A long steel handle adapted with a Ball type knob adapts easily for left or right hand operations.

Mounting the Press

Remove the T-Mag Press from the packing box and position it against the edge of your bench top in the most convenient location, usually near the center of the bench, leaving a work area on each side of the press. Mark the position of the mounting holes and drill them; then, using $\frac{3}{8}$ " bolts and suitable washers and nuts, securely anchor the press.

The toggle link mechanism and ram have been factory installed. Decide which mode of operation you prefer - right or left hand - and install the handle in the appropriate mounting hole in the linkage toggle. Be sure to thread the locknut onto the handle first. After the handle is screwed into the toggle, lock it in place by turning the locknut to a jam-fit against the toggle surface.

NOTE: A positive stop built into the frame blocks handle travel after the ram has passed top dead center. No further pressure should be applied, once the stop is reached, to prevent possible damage to the press.

Installation of the Shell Holder

The shell holder slides into the slotted top of the T-Mag ram and is held in place by the integral spring clip. To make the shell holder more accessible to your hand, turn it slightly to the left if you are right handed; slightly to the right if you are left handed. Most reloaders use their strongest arm to operate the ram.

Extra shell holders are available for a wide variety of cartridges as indicated in the current annual Lyman Catalog.

Installation and Use of the Priming Arm

Open the package containing the Lyman Priming Arm. It contains a priming arm complete with a large priming sleeve and a large, flat primer punch to seat large primers.

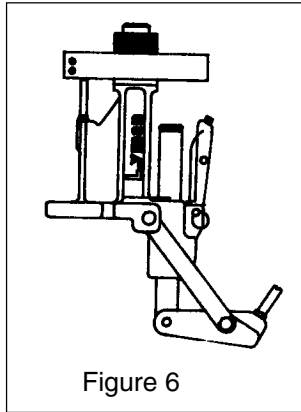
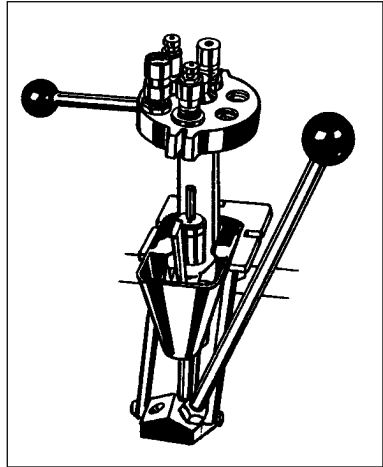


Figure 6

T-Mag II (continued)

Should you need to seat small primers, substitute the small flat primer punch and sleeve packed separately using the enclosed Hex wrench.

To install, remove the quick release pin from the priming arm lug. Position the priming arm as shown in **Figure 6**. Re-insert the quick release pin.

To use the priming arm, place an unprimed cartridge case in the shell holder and a primer (anvil up) into the sleeve of the priming punch. Raise the ram to the top of its stroke and push the priming arm toward the press. The priming arm will enter the slot in the front of the ram and, as the ram is lowered, will force the primer into the primer pocket of the case. This operation

may be done when the cartridge case is being withdrawn from the decapping and resizing die, but may be done later if you wish to clean or trim your cases before repriming.

Changing a Sleeve or Punch

To change another sleeve size or primer punch, use the hex wrench provided to loosen the locking screw on the front of the priming arm, being careful not to lose the spring under the priming sleeve. Install the new sleeve and primer punch and retighten the screw.

Installing the Primer Catcher

The plastic primer catcher is positioned cupside up, directly under the primer arm lug. Press it firmly against the reloading press. Secure the primer catcher to the press by fitting the plastic retaining bar into the slots provided atop the sidewalls. It will catch and hold spent primers that are decapped during the resizing operation.

Installation and Use of the Primer Feed for "T" Mag Presses (Optional)

Your automatic primer feed can be equipped with both large and small primer tubes. Small rifle and pistol primers fit the small tube while large rifle and pistol primers fit the large tube. The careful use of these tubes will speed the priming operation but remember to use extreme care when handling primers.

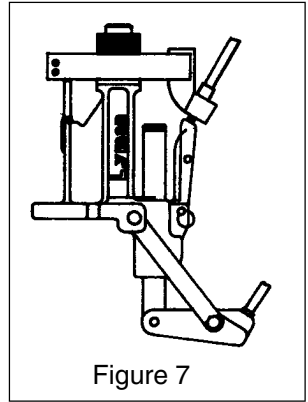
The first step in installation is to place the primer feed body between the lugs of either location in the turret of the press as shown in **Figure 7**. Fasten in place using the furnished set screws.

The primer feed body must be adjusted up or down until the drop tube is directly over the priming punch sleeve when the priming arm is in the back position (see **Figure 7**). When this adjustment is correct, the priming arm will pick up a single primer and, when pressed into the ram, carry it into priming position. The remainder of the primers will be kept in the primer tube by the cutoff pin.

When using the auto-primer feed with the T-Mag press the priming arm must be disengaged from the primer feed body to turn the turret past the priming station. To return to the priming station, the primer arm must be pressed forward, toward the ram, to clear the primer feed housing as it is rotated into position.

Filling the Primer Tube

To fill the primer tube, first insert one of the two supplied cotter pins through the hole in the side of the primer tube. Spread the ends of the cotter pin slightly to keep it from falling out. Next, place your primers anvil-side down in a small flatbottomed tray or dish.



T-Mag II(continued)

Force the slotted end of the tube down over each primer. The cotter pin will prevent the primers from dropping from the open end of the tube when you turn it over.

Fill the tube completely, press the bushing (“O ring”) end firmly into the primer feed body and remove the cotter pin. One of the red plastic sleeves supplied should be slipped over the open end of the primer tube to prevent injury should your face or arm strike to top of the primer tube.

CAUTION

Use extreme care when handling primers. Never mishandle any primer feed that mal-functions. Do not do anything that could cause a primer to explode when cleaning a jam. Keep your work area clean, occasionally wiping dust with a damp rag.

Lubrication and Care of Your Press

Before using your press, apply a light film of powdered graphite to the bearing surfaces of all moving parts. Pay particular attention to the sides of the ram. Thin oil may also be used for this purpose but graphite is more desirable. If your press is to be used in a damp area, it is recommended that you also protect unpainted surfaces with a thin film of oil.

Turret Support

The screw at the rear of the press serves as a support to the Turret when maximum pressure is applied. Rotate the Turret and verify for clearance between the Turret Support screw and the Turret. The screw should be adjusted so that it is slightly (about 1/64") below the bottom edge of the Turret but not touching the Turret itself. Adjustment can be made by loosening the locknut and turning the screw until the proper gap is achieved. Tighten the locknut. Rotate the Turret and check for clearance. If the user feels further adjustment is required, the screw can be moved in 1/8 turn increments until a satisfactory gap is accomplished.

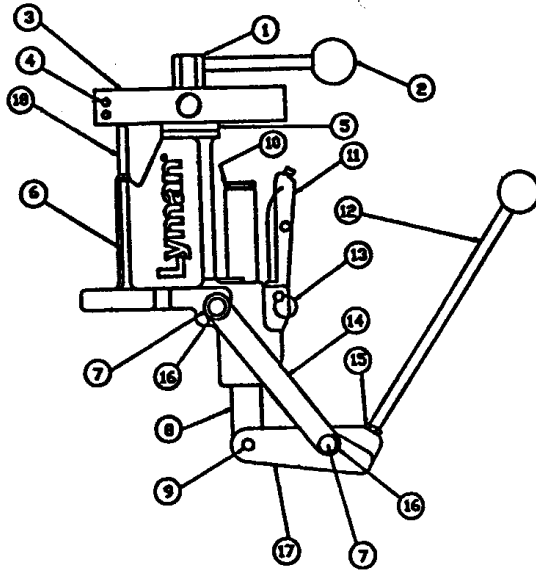
A handy multi-purpose press/die accessory wrench is provided for making this adjustment.

**Visit our complete Lyman website at
www.lymanproducts.com**

T-Mag II(continued)

**INSTRUCTIONS FOR INDEXING AND REMOVING
THE TURRET OF YOUR T-MAG 11 PRESS**

Your T-Mag II Press is supplied with a turret handle (item #2) which can be used for indexing or removing the turret from the reloading press. For easy indexing, insert the turret handle into one of the two holes in the turret (item #3) and turn as desired. To change or remove the turret, secure the press to a table or other fixed surface. Insert the turret handle through the cross hole in the turret shoulder bolt (item #1). Using the handle as a wrench, loosen the bolt in a counterclockwise direction and remove it from the turret. Lift the turret straight off the press frame. When dies are installed in the turret it is necessary to rotate the turret slightly so that the turret handle can be positioned between two dies. The turret shoulder bolt can then be removed by turning both the bolt and turret. To reattach the turret, simply reverse the foregoing steps.



Key	Part Description	Part #	Key	Part Description	Part #
1	Turret Shoulder Bolt	7991458	13	Quick Release Primer Arm Pin	7729230
2	Turret Handle	7991461	14	Power Link (2)	7991463
3	Turret	7726153	15	5/8-18 Handle Jam Nut	7726218
4	Auto Primer Set Screw (4)	7726115	16	Toggle Pin Clip (4)	7726220P
5	Locating Turret Collar	7991459	17	Toggle	7726210
6	Press Frame	7990501	18	Turret Support Screw & nut	7990505
7	Toggle Pin	7726215			
8	Ram	7726212			
9	Ram Pin	7726213			
10	Shell Holder Clip	7726109			
11	Universal Priming Arm	7728036			
12	Handle/Ball Assembly	7990503			
			Not Shown:		
				Press/Die Wrench	7990116
				Primer Catcher	7726420