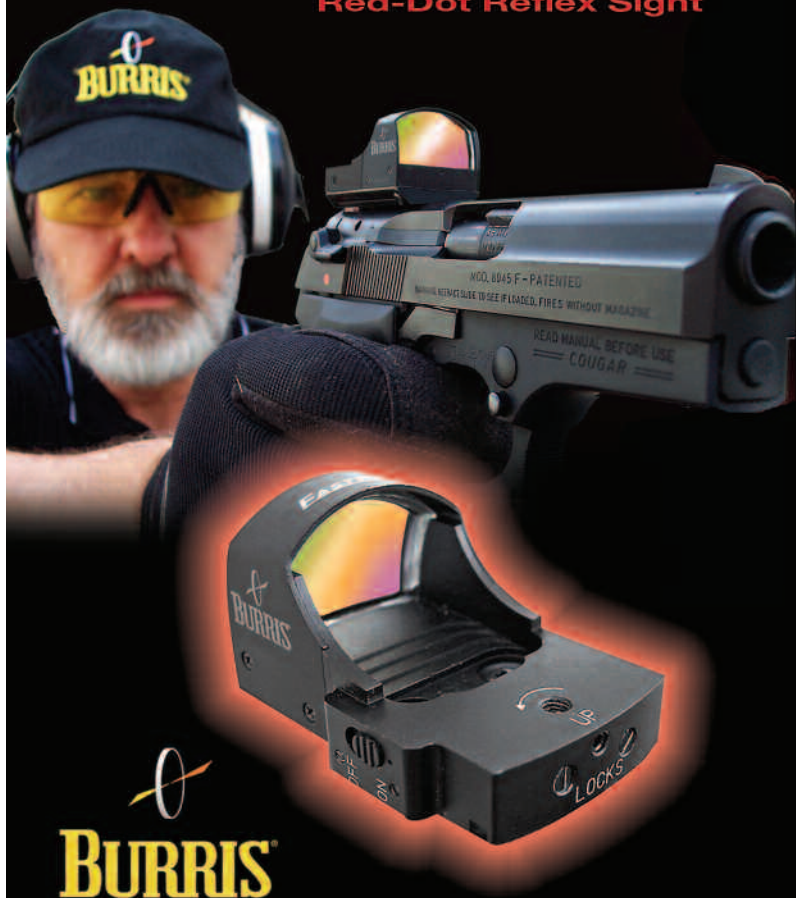


FASTFIRE™

Red-Dot Reflex Sight




BURRIS®

FASTFIRE™

Red-Dot Reflex Sight

Features

Smaller, lighter in weight and more compact than most red dot sights, the FastFire is extremely strong and durable with a frame made of stainless steel, bronze and anodized aluminum.

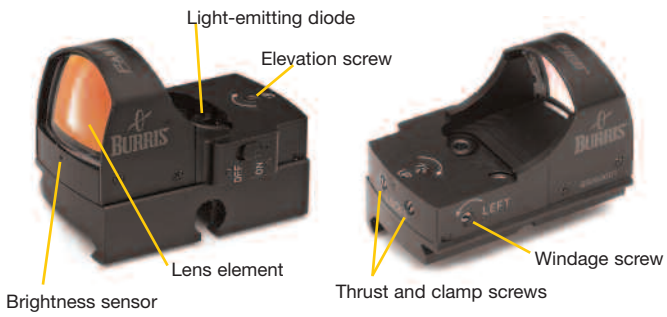
Because of its small size and weight, the FastFire can be mounted directly on almost any weapon including on the slide of a semi-automatic pistol.

Since eye relief is unlimited, the FastFire can be used on handguns, rifles and shotguns.

Low magnification provides an extremely large field-of-view.

FastFire is parallax-free to 50 yards.

FastFire's multicoating is sandwiched between two highly polished, optical quality glass lenses for protection from scratches and abrasion and a bright, clear sight picture.



Operating Instructions

For optimum performance and to prevent damage to this precision instrument, carefully follow all instructions.

Package Contents:

- 2 #6x48 countersink screws with Torx[®] socket head for installing the sight on the mounting plate
- 1 Torx[®] wrench to tighten fasteners
- 1 screwdriver
- 1 adjusting disc
- 1 protective cap
- 1 3V Lithium battery (CR 2032)
- Operating instructions
- Weaver/Picatinny-style mount

Specifications:

- Magnification: 1.07X
- Sight Window: 21mm x 15mm; .82" x .59"
- Elevation adjustment range: 3 degrees or 190 in.@100 yds. (524cm @100m)
- Windage adjustment range: 3 degrees or 190 in.@ 100 yds. (524cm @100m)
- Set value for one scale division: 1 MOA or 1 in.@100 yds.with 60 scale divisions per turn
- Subtension of the aiming dot:
 - 4 MOA (10.5cm@100m)
- Parallax-free sighting distance: approx. 50 yards
- Recoil resistance: At least 1000 G's
- Operating Temperature Range: -10°F to +130°F (-25°C to +55°C)
- Storage Temperature Range: -40°F to +160°F (-40°C to +70°C)
- Power Supply: 3V with one CR 2032 Lithium battery
- Dimensions: (LxWxH) 1.8"x1.0"x0.9" (46mm x 25.4mm x 23.7mm)
- Weight (in operating condition without mounting materials): 0.9 oz. (25 grams)

Torx[®] is a registered trademark of Camcar/Textron

Cautions and Warnings

Always make certain the chamber of your firearm is empty by following the “clearing” procedure detailed in your firearm’s operator’s manual. Do not look directly into the sun, light arcs or other high-intensity light sources. Keep away from children.

Remove dirt by blowing it off or use a very soft brush. Use lens cleaning tissues on the optical surfaces. Do not touch the luminous dot.

Set-up

Operate with one commercially available 3V Lithium battery (CR 2032) only. Do not attempt to substitute two CR 2016 batteries.

Insert the battery into the receptacle located on the underside of the housing oriented so that the positive pole on the battery label is visible. A magnet draws the battery onto the contact plate. Keep the contact surface clean, cleaning with alcohol if necessary.



Battery Replacement

Remove the FastFire and turn it upside down. Place the Allen wrench or a screwdriver in the notch and pry the battery loose. Insert a new battery as described earlier. The precision pins avoid the need for any readjustment.

Power-saving Mode

To save power, simply turn the ON/OFF switch to OFF.



Installation

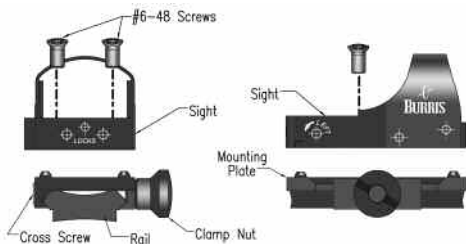
Installation on most rifles, carbines, and some handguns require the included Picatinny/ Weaver Mounting Plate. Most other handguns require a different Mounting Plate. See chart and special instructions below.

- 410320 Mount - Picatinny / Weaver (included)
- 410321 Mount - 1911 Standard
- 410322 Mount - 1911 Bomar / Novak
- 410323 Mount - Kimber Standard & Target
- 410324 Mount - Beretta 92/96 /90-TWO/
Taurus PT99
- 410325 Mount - Beretta PX4 Storm
- 410326 Mount - Glock all
- 410327 Mount - Sig Sauer P226
- 410328 Mount - Springfield XD
- 410329 Mount - Ruger Mark I, II, III



Picatinny / Weaver Mount

Place the Sight on the Mounting Plate so that the screw holes in the Sight and Plate align. Install the two #6-48 Screws and tighten to 12 inch pounds. Loosen the Clamp Nut on the Mount. Place the Mount on the Rail with the Cross Screw located in the desired slot. Check to be sure all the clamping edges are engaged. Keep a little pressure on the sight toward the muzzle as you tighten the Clamp Nut to approximately 20 inch pounds.



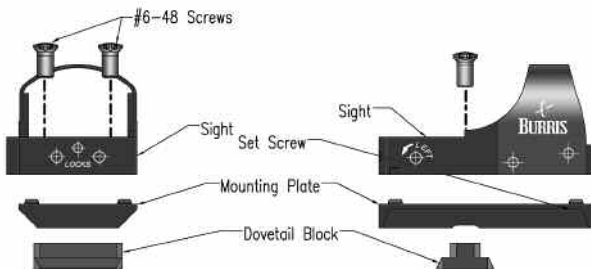
1911 Bomar / Novak

Drive the rear sight out of its Dovetail Slot with a suitable drift pin (brass) or a fixture.

Place the supplied Dovetail Block into the Slot for the rear sight and center it. Place the Mounting Plate and Sight assembly over the Dovetail Block, with the four pins up and center it. Push the back of the Plate down firmly against the flat to the rear of the Dovetail and forward against the Dovetail Block. With the Plate in this position snug the hollow Set Screw at the front of the plate till it just touches the slide top, then 1/4 turn more. The use of bonding compound (loctite or similar) on this Set Screw is recommended. An additional countersunk hole in the forward part of the plate is provided such that a skilled gunsmith may drill and tap the slide for additional support if desired.

Place the Sight on the Mounting Plate so that the screw holes in the Sight and Plate align. Press the four pins on the top of the Plate into the corresponding holes in the Sight. They do not need to be tightly together yet.

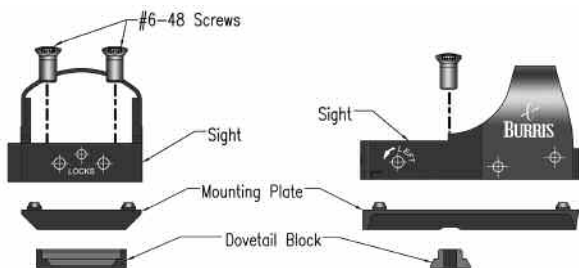
Be sure the Dovetail Block is centered in the Slot for the rear sight. Install the two #6-48 Screws provided through the Sight and into the Dovetail Block. Keep a little pressure on the sight toward the muzzle as you tighten the Screws to 12 inch pounds.



Kimber 1911s, Ruger Mark I, II, III, and compatible pistols

Drive the rear sight out of its Dovetail Slot with a suitable drift pin (brass) or a fixture. Place the Sight on the Mounting Plate so that the screw holes in the Sight and Plate align. Press the four pins on the top of the Plate into the corresponding holes in the Sight. They do not need to be tightly together yet.

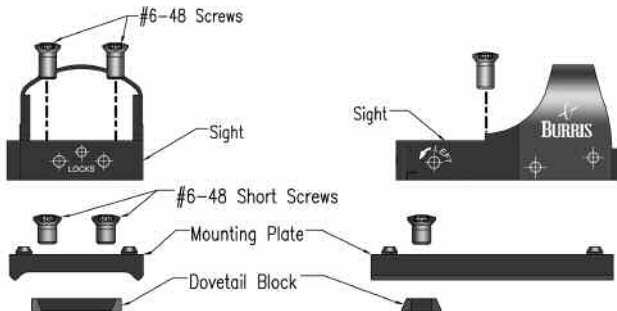
Place the supplied Dovetail Block into the Slot for the rear sight and center it. Place the Mounting Plate and Sight assembly over the Dovetail Block. Install the two #6-48 Screws provided through the Sight and into the Dovetail Block. Keep a little pressure on the sight toward the muzzle as you tighten the Screws to 12 inch pounds. On Ruger Mark I, II, and III handguns, care must be taken to keep the Plate and Sight level on the receiver while the screws are tightened.



Beretta (92, 96, 90-TWO, Cougar, PX4Storm) Sig P226, 1911 Standard, Glock, Springfield XD, PT99 Taurus, and compatibles.

Drive the rear sight out of its Dovetail Slot with a suitable drift pin (brass) or a fixture. (Note; Beretta dovetails are tapered wide on the left, narrower on the right (as well as bottom to top) so drive the sight out the left side of the slide.)

Place the supplied Dovetail Block into the Slot for the rear sight and center it. Place the Mounting Plate down over the Dovetail Block with the countersunk holes lined up with the threaded holes in the Dovetail Block, countersink up. Loosely install two of the shorter #6-48 Screws through the Plate and into the Dovetail Block. Center the Mounting Plate along the slide and tighten the Screws into the Dovetail Block to 12 inch pounds. On some models care must be taken to keep the Plate level on the slide while the screws are tightened. The use of bonding compound (loctite or similar) on these Screws is recommended. An additional counter-sunk hole in the forward part of the plate is provided such that a skilled gunsmith may drill and tap the slide for additional support if desired. Place the Sight on the Mounting Plate so that the screw holes in the Sight and Plate align. Install the two long #6-48 Screws provided and tighten to 12 inch pounds.



Operating Procedure

Elevation and Windage Adjustment

Separate controls for the elevation and windage adjustments are found on the top and right side of the sight.



Loosen the two LOCK screws counter clockwise 1/2 turn each using the provided screwdriver. Turn the slotted “UP or LEFT” screws with the provided adjusting disc and screwdriver. The windage adjustment mechanism has limit stops at both ends.

Note that the elevation adjustment downward stop is available only when the unit is installed on a mounting plate. Screwing either adjustment into a stop will lock motion of the other adjustment.

Zeroing the Point-of-Impact

Adjust point-of-impact by using the provided scale disc with integrated screwdriver.

Put the scale disc onto the elevation or windage adjustment screws using any edge on the sight as the reference line. The scale disc allows defined elevation and windage adjustment in both directions of rotation. The direction of the shift of the point-of-impact is indicated on the FastFire sight and on the scale disc.



One scale division of this disc corresponds to 1 minute of angle (MOA), very close to 1 inch at 100 yards. For other distances, this value is proportional. For example: 1/2 inch at 50 yards or 0.1 inch at 10 yards.

Before shooting, make sure to tighten the lock screws on the rear of the FastFire with the provided screw driver making sure not to overtighten.



Integrated Control Electronics

The integrated control circuit adjusts the brightness of the aiming dot according to surrounding light levels.

The brightness sensor on the front of the sight senses the light level in the direction of the target and modifies the intensity of the dot accordingly so that it is not overpowering in low light while remaining highly visible in bright daylight.

Be careful not to obstruct the sensor. Clean if necessary. Covering the sensor with your finger will affect the electronics only slightly. If you wish to check its function, cover the sensor with the protective cover.

To ensure immediate functionality, the light-emitting diode will remain on even in complete darkness but uses such a small amount of energy that you can expect a service life of up to 4 years.

Ambient Conditions

Although not completely waterproof, the FastFire is water-resistant and is usable even when exposed to moisture.

Exposure to such conditions should be limited, however, to prevent the battery from discharging and to avoid an electrolytic reaction. After exposure to salty or dirty water, rinse with distilled water and dry the sight.

LIMITED WARRANTY

BURRIS 12 MONTH LIMITED WARRANTY

Burris warrants for 12 months after purchase that its products will be free from defects in material and workmanship. At its sole discretion, Burris will either repair or replace, at no charge, any product or part (with the exception of the lamp and battery) which is found to be defective under normal use and service. Burris's obligation to either repair or replace shall be the purchaser's sole and exclusive remedy under this warranty. The warranty does not cover battery leakage.

This warranty extends only to the original owner. There are no warranties, expressed or implied, other than as set forth on this page and Burris disclaims any warranties of merchantability or fitness for a particular purpose. Burris shall not be liable for incidental, consequential, or special damages arising out of or in connection with product use or performance. For service, repair, or replacement, return unit "UPS Prepaid" with a copy of the sales receipt to Burris.

Fastfire™ is a trademark of Burris Company Inc.



Burris Company
331 East 8th Street, Greeley, CO 80631
Ph: 970-356-1670
Fax: 970-356-8702
www.burrisoptics.com