

Aimpoint®

Micro S-1™ User manual



THE FUTURE IN SIGHT.

1 PRESENTATION

Aimpoint® red dot sights are designed for the "two eyes open" method which greatly enhances situational awareness and target acquisition. The red dot follows the movement of the user's eye while remaining fixed on target, eliminating any need for centering.

1.1 Technical specification

Optical system

Magnification	1X
Eye relief	Unlimited
Clear aperture	18 mm
NVD ² compatible	No
Optical coating	Anti-reflection (AR) coating
Adjustments	1 click = 13 mm @ 100 m 1/2" @ 100 yds
Adjustment range	±1 m @ 100 m / ±1 yds @ 100 yds
Dot size	6 MOA ¹
Dot intensity settings	12 settings manually adjusted with rotary switch
Dot color	Red (655 nm ± 10 nm)
Signature	No forward optical signature from the dot beyond 10 meters

Power source

Battery type	One CR2032 Lithium battery (3 V)
--------------	----------------------------------

Battery life ³	More than 5 years of use at pos. 7
---------------------------	------------------------------------

Size (L × W × H)

Sight	63 mm × 43 mm × 41 mm 2 15/32" × 1 11/16" × 1 5/8"
-------	---

Weight

Sight	100 g / 3.5 oz
-------	----------------

Height of optical axis

Sight mounted on rib	14 mm / 9/16"
----------------------	---------------

Materials

Sight	High strength aluminum, black to dark gray, non-glare finish
-------	--

Base plates	Carbon fiber reinforced polymer
-------------	---------------------------------

Bikini lens covers	Rubber
--------------------	--------

Environmental specification

Temperature range (operation)	-30 °C to +60 °C / -22 °F to +140 °F
-------------------------------	--------------------------------------

Water resistance	Submersible to 5 m / 16 ft.
------------------	-----------------------------

1 MOA: Minute Of Angle, 1 MOA ≈ 30 mm at 100 m or ≈ 1" at 100 yds

2 NVD: Night Vision Device

3 Battery life: Values valid at room temperature for a quality battery

1.2 Overview

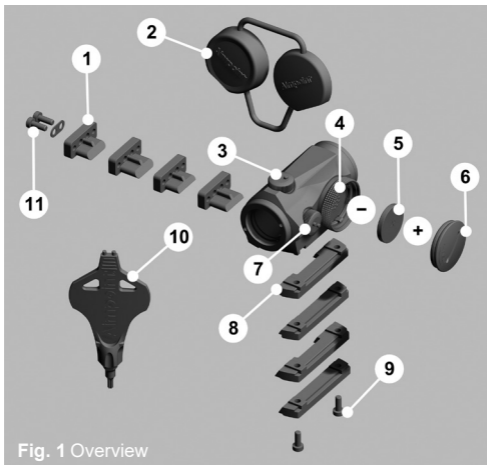


Fig. 1 Overview

- | | |
|--|---|
| 1 ADJUSTABLE BASE PLATE
(4 PCS; A / B / C / D) | 7 WINDAGE ADJUST. CAP |
| 2 BIKINI LENS COVERS | 8 FIXED BASE PLATE
(4 PCS; 01 / 02 / 03 / 04) |
| 3 ELEVATION ADJUST. CAP | 9 SCREWS (M3 x 8) |
| 4 INTENSITY SWITCH | 10 TOOL (3 FUNCTIONS) |
| 5 BATTERY (CR2032) | 11 SCREWS (M3 x 8) AND
WASHER |
| 6 BATTERY CAP | |

2 OPERATION

WARNING: Ensure the weapon is not loaded and the safety selector is in the "safe" position before attempting to install, remove or perform maintenance.

2.1 Install battery

- 1 Remove the **BATTERY CAP** using the **TOOL**.
- 2 Insert **BATTERY (CR2032)** with the positive end (+) toward the **BATTERY CAP** as can be seen in Fig. 1.

CAUTION: Check that the o-ring of the **BATTERY CAP** is in good condition and in position to ensure there is no water leakage into the battery compartment.

- 3 Turn the **INTENSITY SWITCH** to intensity setting 12 (max.) and tighten the **BATTERY CAP** with the **TOOL**. When resistance is encountered, proceed to tighten until the **BATTERY CAP** comes to a stop.
- 4 Verify the red dot is visible and there is zero gap between the **BATTERY CAP** and the battery compartment.

NOTE: Remove **BATTERY (CR2032)** before putting the sight in storage for extended periods.

2.2 Preparations for mounting

The sight comes with 8 interchangeable **BASE PLATES** to provide a secure mount for most shotgun rib dimensions. Use a caliper to measure the dimensions of the shotgun rib to determine which combination of **BASE PLATES** to use.

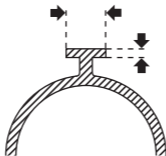
2.3 Placement on shotgun rib

The sight can be mounted anywhere on the shotgun rib depending on personal preference. A typical placement is about 100 mm / 4" from the forward grip toward the muzzle. Ensure that eye relief is comfortable.



Base plate selection

- 1 Measure the **THICKNESS** and the **WIDTH** of the shotgun rib.



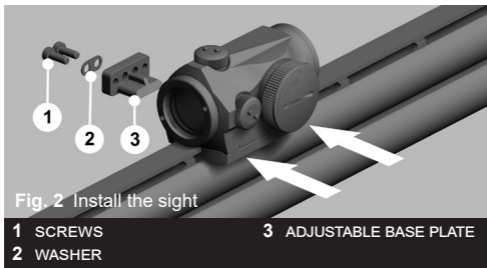
- 2 Use the **BASE PLATE SELECTION GUIDE** (see back of this manual) to determine which combination of base plates are most likely to fit the shotgun rib.

CAUTION: The mounting of any optic onto the shotgun rib may damage the shotgun if the rib is not suitable for handling the extra weight. Consult local dealer/armourer if unsure of the shotgun rib is suitable for mounting of an optic.

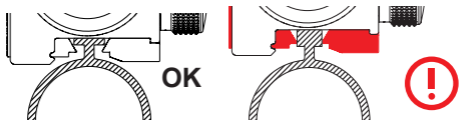
2.4 Mount the sight to the shotgun rib

CAUTION: Do not use any thread locking fluid as it may damage the sight housing.

- 1 Install the **FIXED BASE PLATE** (01 / 02 / 03 / 04) to the sight using the **TOOL** (T10 torx). Tighten the **SCREWS** until a light resistance is felt. Proceed to tighten approximately 1/4 turn until fully tightened (approximately 1 Nm of torque).
- 2 Install the **ADJUSTABLE BASE PLATE** (A / B / C / D) to the sight by first placing the **WASHER** in the base plate and then installing the **SCREWS** using the **TOOL** (T10 torx). Do not fully tighten the **SCREWS**.
- 3 Place the sight on the shotgun rib. Press the sight against the shotgun rib (see Fig. 2) and tighten the **SCREWS** of the **ADJUSTABLE BASE PLATE** until fully tightened (approximately 1 Nm of torque). Alternate between the two **SCREWS** to ensure **BASE PLATE** is installed parallel to the sight housing.



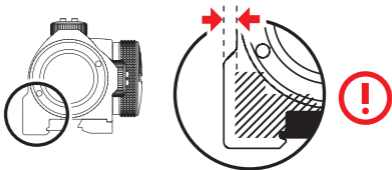
CAUTION: Ensure the **BASE PLATES** clamp around the shotgun rib to provide a secure fit.



NOTE: Ensure the sight is installed level to the top surface of the rib.

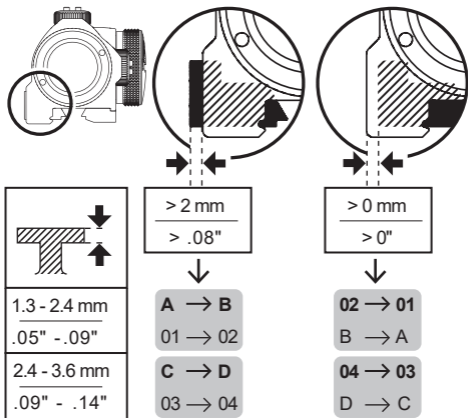


CAUTION: Ensure the **ADJUSTABLE BASE PLATE** is not installed beneath the surface of the sight housing as it will not provide a secure fit.



NOTE: If the **ADJUSTABLE BASE PLATE** is protruding more than 2 mm / .08" from the sight housing, or is positioned beneath the surface of the sight housing, change **BASE PLATES** according to the **BASE PLATE TROUBLESHOOTING GUIDE**.

Base plate troubleshooting guide:



- First try the appropriate **PRIMARY OPTION** in the **BASE PLATE TROUBLE SHOOTING GUIDE**. If this change does not provide a secure fit, try the **SECONDARY OPTION**.

A → B

PRIMARY OPTION

01 → 02

SECONDARY OPTION

- Check that the **SCREWS** of the **ADJUSTABLE BASE PLATE** are fully tightened after initial firing to ensure a secure fit.

2.5 Zeroing

CAUTION: Do not continue to adjust windage and elevation if you encounter resistance. The mechanism can break if over-adjusted.

- 1 Adjust the intensity to a comfortable setting for the red dot to contrast against the target.
- 2 Remove the **ELEVATION ADJUSTMENT CAP** and the **WINDAGE ADJUSTMENT CAP** to access the **ADJUSTMENT SCREWS**.
- 3 Use the knobs on the **ADJUSTMENT CAPS** or the **TOOL** to turn the **ADJUSTMENT SCREWS**.
- 4 Adjust elevation (see Fig. 3):
 - Turn **ELEVATION ADJUSTMENT SCREW** counterclockwise to move point of impact **UP**.
 - Turn **ELEVATION ADJUSTMENT SCREW** clockwise to move point of impact **DOWN**.
- 5 Adjust windage (see Fig. 4):
 - Turn **WINDAGE ADJUSTMENT SCREW** counterclockwise to move point of impact to the **RIGHT**.
 - Turn **WINDAGE ADJUSTMENT SCREW** clockwise to move point of impact to the **LEFT**.

NOTE: Each click of the **ELEVATION ADJUSTMENT SCREW** and the **WINDAGE ADJUSTMENT SCREW** corresponds to a 13 mm movement of the point of impact at 100 m / 1" at 100 yds (or 3 mm at 25 m / 1/8" at 100 yds).





3 EXTREME CONDITIONS

- Extreme heat (moist or dry): no special procedures required.
- Extreme cold: extreme cold might shorten battery life.
- Sea spray, water, mud, snow: ensure the **BATTERY CAP** is tightened. Keep **LENS COVERS** on. Clean lenses and wipe the sight dry after exposure.
- Salt air: no special procedures required.
- High altitudes: no special procedures required.

CAUTION: Never clean the lenses with fingers. Use lens paper/cloth. If lens paper/cloth is not available:

- To clear away debris (sand, grass etc.): blow away the dirt or rinse with clear water.
- To clean lenses: fog the lenses or rinse with clear water and clean them with a soft piece of cloth.

Base plate selection guide:

			
	6 - 8 mm .24" - .31"	8 - 10 mm .31" - .39"	10 - 12 mm .39" - .47"
1.3 - 2.4 mm .05" - .09"	→ A + 01	B + 01	B + 02
2.4 - 3.6 mm .09" - .14"	→ C + 03	D + 03	D + 04

Aimpoint AB

Jägershillgatan 15
SE- 213 75 Malmö, Sweden
Phone: +46 (0)40 671 50 20
Fax: +46 (0)40 21 92 38
e-mail: info@aimpoint.se

Aimpoint Inc.

7309 Gateway Court
Manassas, VA 20109, USA
Phone: +1 703-263-9795
Fax: +1 703-263-9463
e-mail: info@aimpoint.com

WWW.AIMPOINT.COM

© 2017 Aimpoint AB. [14838-2]

